

## Product Detail



|                             |  |
|-----------------------------|--|
| <b>Product Line:</b>        | <a href="#">Johnson</a> (Click for customer service) |
| <b>Part Number:</b>         | 105-0751-001   |
| <b>Description:</b>         | Horizontal Test Jack - Insulated Standard            |
| <b>Product Family:</b>      | TEST JACK  |
| <b>Body Material:</b>       | Nylon 6/6 per ASTM D4066                             |
| <b>Breakdown Voltage:</b>   | 2100 Vrms min.                                       |
| <b>Color / Finish:</b>      | White  |
| <b>Contact Material:</b>    | Copper aluminum alloy                                |
| <b>Contact Finish:</b>      | Silver   |
| <b>Contact Termination:</b> | Solder   |
| <b>Current:</b>             | 5 amps   |
| <b>Description:</b>         | Insulated Standard                                   |
| <b>For Use With:</b>        | .080 (2.00) Tip Plug                                 |
| <b>RoHS Compliant:</b>      | Yes  |

20070523-1523

# Horizontal Test Jack Insulated Standard

## SPECIFICATIONS

**Contact:** Copper aluminum alloy\*

**Finish:** Gold or Silver

**Body:** Nylon 6/6 per ASTM D4066

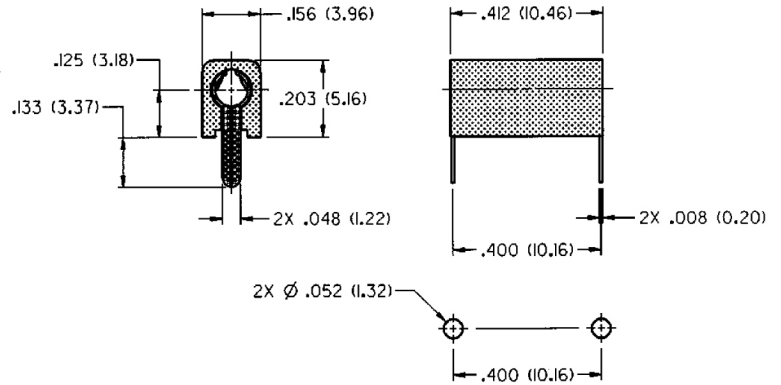
## RATINGS

**Current:** 5 amps

**Breakdown Voltage:** 2100 Vrms minimum †

**Contact Resistance:** Gold: 0.005 ohms maximum  
Silver: 0.010 ohms maximum

**Adjacent Jack C:** 1 pF maximum at 1 MHz



MOUNTING HOLE LAYOUT

| SILVER PLATING |       |
|----------------|-------|
| 105-0751-001   | White |

**For Standard Tip Plug: .080 (2.00) Diameter**

## FEATURES:

- Contact protected from flux and solder
- Probe access from both ends or top
- Nylon UL approved for self extinguishing

\* A new material development that, for this application, meets or exceeds beryllium copper.